

PureLine Obsidian Black
24" Combi-Steam Oven

DGC 6800 XL OBSW



PureLine 24" Combi-Steam Oven

DGC 6800 XL OBSW



DGC 6800 XL OBSW

Features:

- M Touch innovative and revolutionary controls are both easy-to-operate and navigate. An intuitive swipe of the screen will quickly lead you to your desired selection.
- MultiSteam technology delivers powerful external steam generation and optimum steam distribution via 6 inlet ports
- Wired roast probe for perfect roasting
- 3-in-1 appliance
 1. True European convection oven
 2. Steam oven
 3. Combination of steam and convection oven
- MasterChef and MasterChef Gourmet menus offer over 150 food types to cook to perfection
- XL stainless steel cavity
- Lift up control panel conceals water and condensate container (both containers are dishwasher-safe)
- The simple yet sleek Black Silhouette handle seems to float enhancing its modern design lines

SPECIFICATIONS

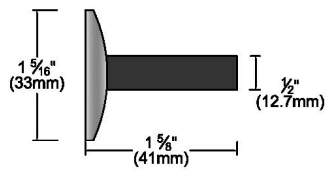
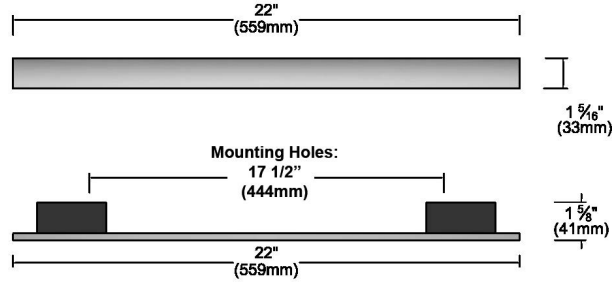
DGC 6800 XL OBSW — Item 23680022USA

Overall Fascia Dimensions	23 ⁷ / ₁₆ " (595 mm) W x 18" (455.5 mm) H x 7 ¹ / ₈ " (22 mm) D
Overall Unit Width - Excluding Fascia Dimension	21 ⁹ / ₁₆ " (548 mm)
Overall Unit Height - Excluding Fascia Dimension	17 ¹¹ / ₁₆ " (449 mm)
Overall Unit Depth - Excluding Fascia Dimension	21 ⁵ / ₈ " (550 mm)
Oven Door Clearance	13 ¹ / ₁₆ " (332 mm)
Built-In	
Minimum Cabinet Width	22 ¹ / ₁₆ " (560 mm)
Minimum Cabinet Depth	21 ⁷ / ₈ " (555 mm)
Minimum Opening Height	17 ¹¹ / ₁₆ " (450 mm)
Minimum Base Support	60 lbs
Additional Cut-outs Required	Venting cut-out required 19 ¹¹ / ₁₆ " x 1 ⁹ / ₁₆ " (500 x 40 mm)
Electrical	
Electrical Requirements	240V, 60Hz, 20A
Power Cord	Molded plug - NEMA 6-20, 240V power cord 5 ft (1.5 m)
Shipping	
Shipping Weight	65 lbs
Shipping Dimensions	26 ⁷ / ₃₂ " (666 mm) W x 21 ⁵ / ₈ " (549 mm) H x 23 ¹ / ₁₆ " (535 mm) L
Support	
Call Miele	800.843.7231
Miele Website	www.mieleusa.com
20/20 Link	2020technologies.com

PureLine 24" Combi-Steam Oven DGC 6800 XL OBSW



HANDLE SPECIFICATIONS

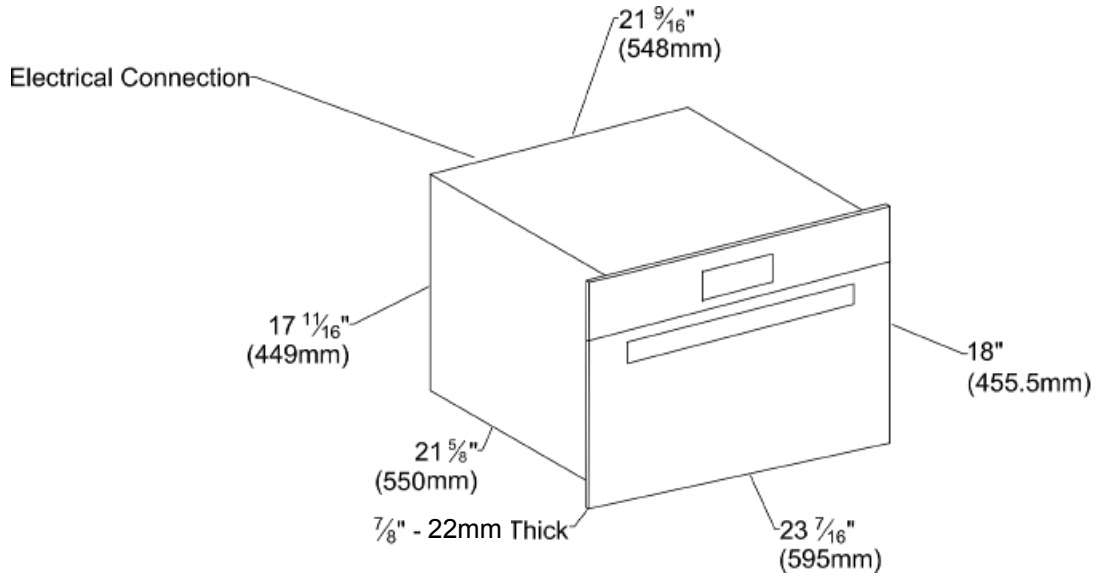


PureLine 24" Combi-Steam Oven DGC 6800 XL OBSW

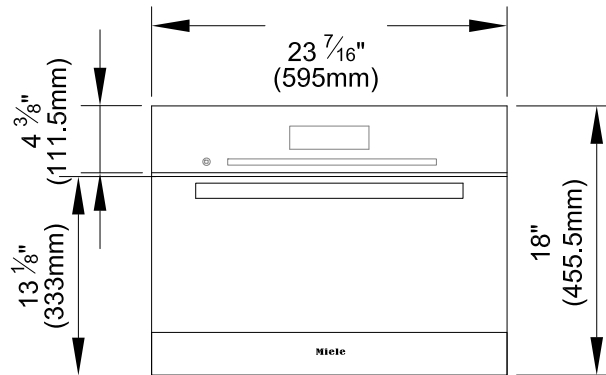


PRODUCT VIEWS

Isometric View



Front View

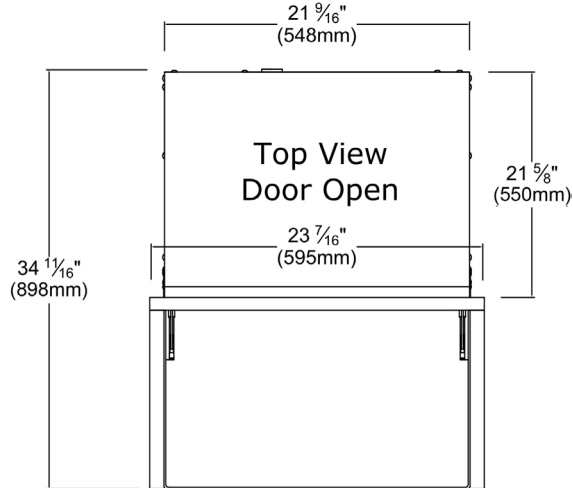


PureLine 24" Combi-Steam Oven DGC 6800 XL OBSW

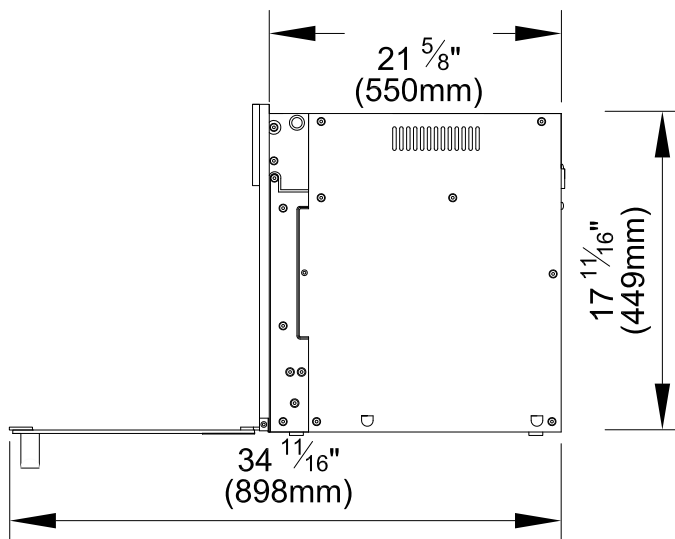


INSTALLATION SPECIFICATIONS

Top View, Door Open

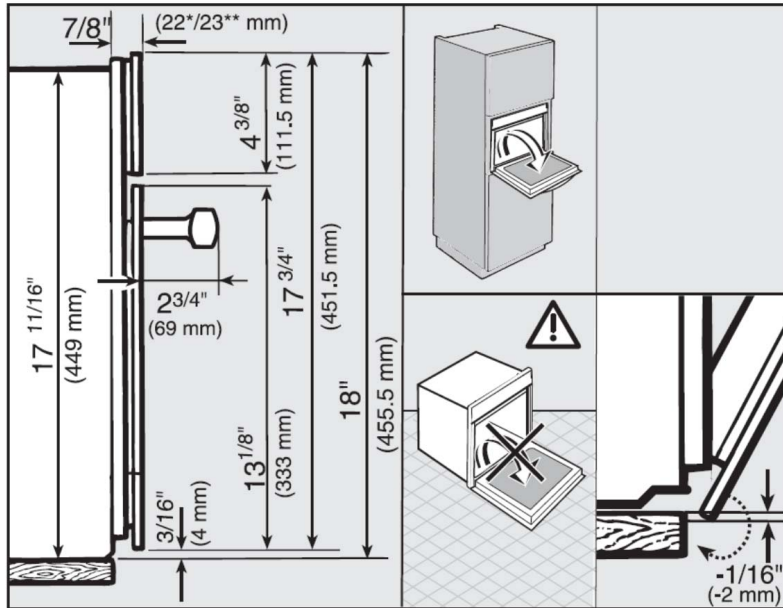


Side View



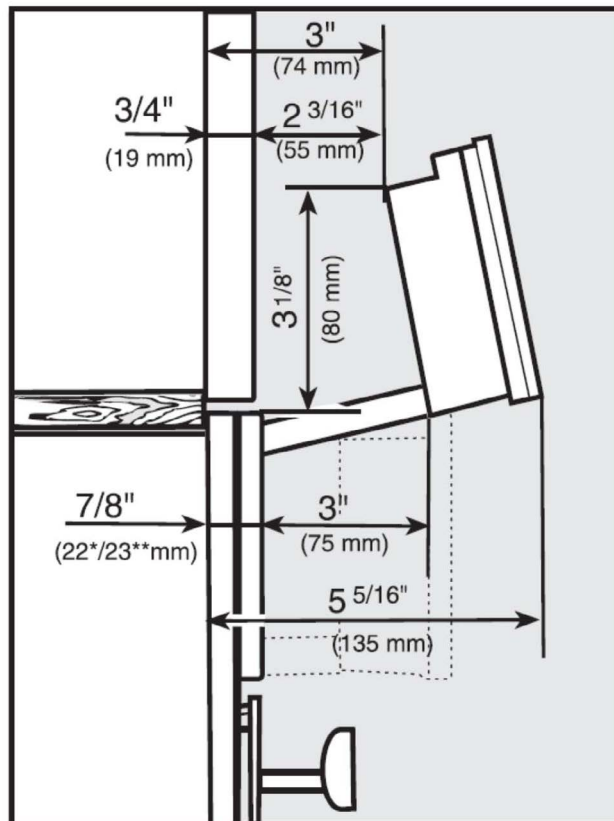
INSTALLATION SPECIFICATIONS

Door Swing and Face Detail



- * Appliances with glass front
- ** Appliances with metal front

Control Panel Swivel View



PureLine 24" Combi-Steam Oven DGC 6800 XL OBSW

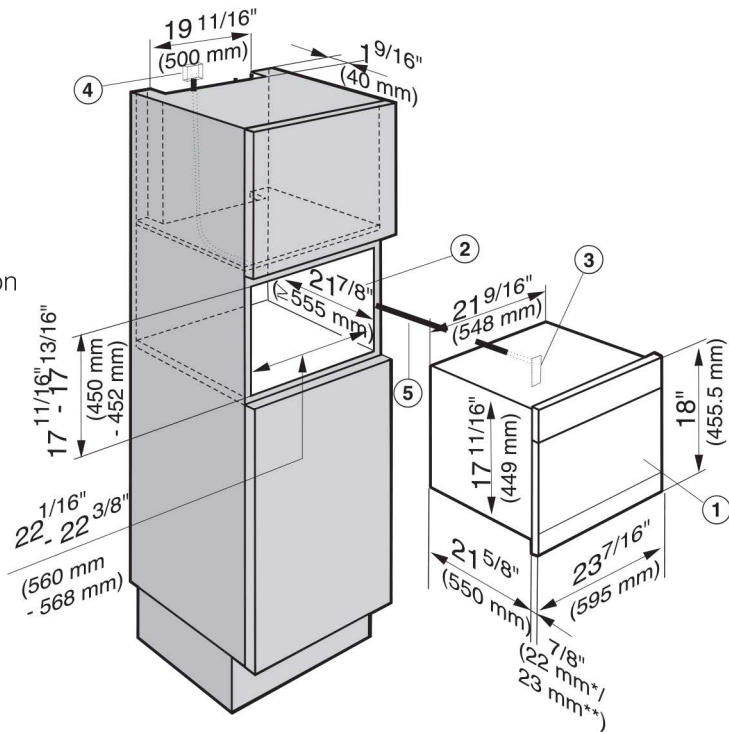


INSTALLATION SPECIFICATIONS

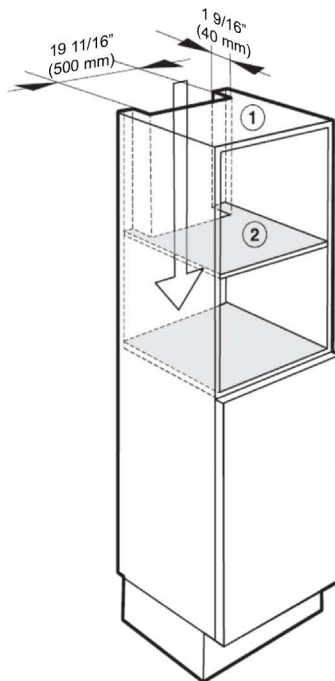
Tall Cabinet Installation

- ① Combi Steam Oven
- ② Installation niche
- ③ Power supply to the appliance
- ④ Recommended location for electrical connection
- ⑤ Power cord

* Appliances with glass front
** Appliances with metal front



Tall Cabinet Installation — Venting Requirements



To ensure that the Combi Steam Oven has adequate ventilation, the following cut-outs measuring 19 11/16" x 1 9/16" (500 x 40 mm) must be made:

- ① in the top of the cabinet
- ② in the center shelf above the installation niche

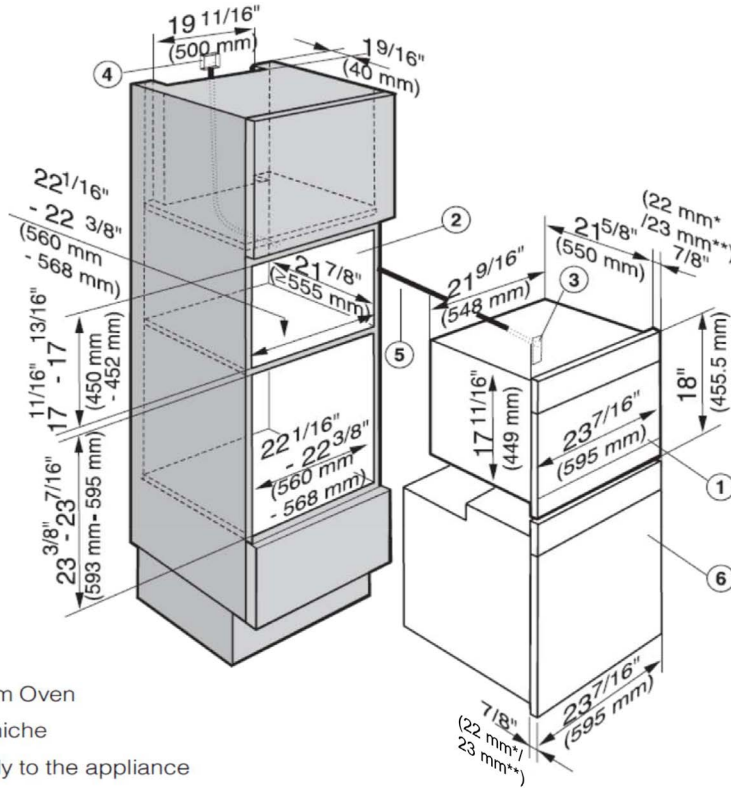
The cabinet housing must not have a back panel fitted behind the installation niche.

PureLine 24" Combi-Steam Oven DGC 6800 XL OBSW



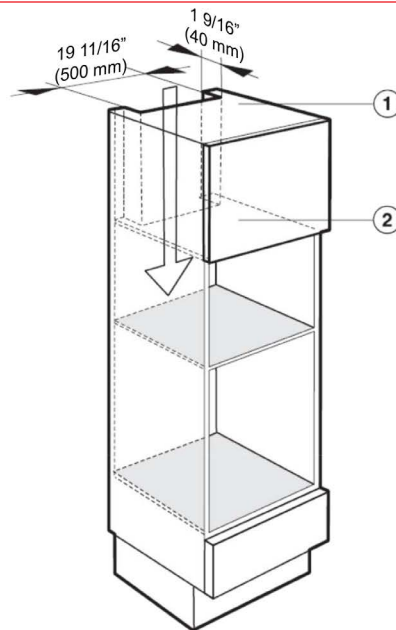
INSTALLATION SPECIFICATIONS

Installation Above 24" Oven



- ① Combi Steam Oven
- ② Installation niche
- ③ Power supply to the appliance
- ④ Recommended location for electrical connection
- ⑤ Power cord
- ⑥ Oven

Installation Above 24" Oven — Venting Requirements



To ensure that the Combi Steam Oven has adequate ventilation, the following cut-outs measuring 19 11/16" x 1 9/16" (500 x 40 mm) must be made:

- ① in the top of the cabinet
- ② in the center shelf above the installation niche

The cabinet housing must not have a back panel fitted behind the installation niche.

Cut-out for venting the oven:

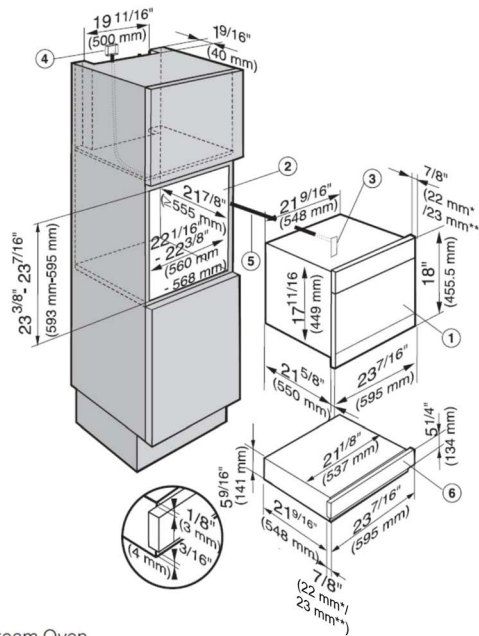
Please refer to the installation instructions for the oven.

PureLine 24" Combi-Steam Oven DGC 6800 XL OBSW



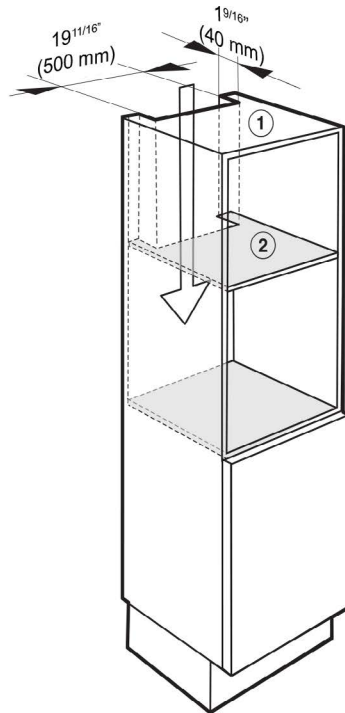
INSTALLATION SPECIFICATIONS

Installation Above Warming Drawer



- ① Combi Steam Oven
- ② Installation niche
- ③ Power supply to the appliance
- ④ Recommended location for electrical connection
- ⑤ Power cord
- ⑥ Warming drawer

Installation Above Warming Drawer – Venting Requirements



To ensure that the Combi Steam Oven has adequate ventilation, the following cut-outs measuring 19 11/16" x 1 9/16" (500 x 40 mm) must be made:

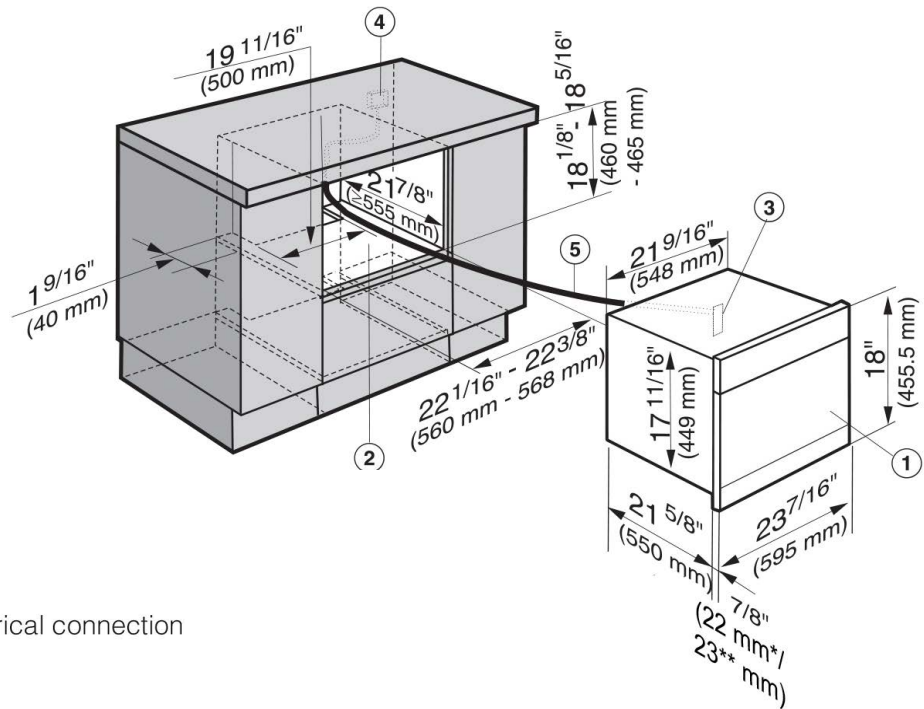
- ① in the top of the cabinet
- ② in the center shelf above the installation niche

The cabinet housing must not have a back panel fitted behind the installation niche.

PureLine 24" Combi-Steam Oven DGC 6800 XL OBSW



INSTALLATION SPECIFICATIONS

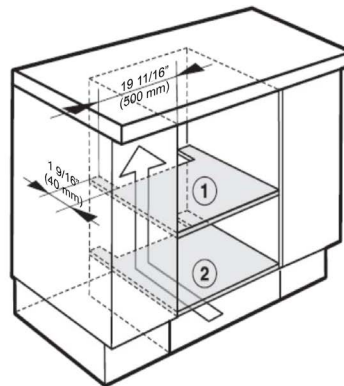


- ① Combi Steam Oven
- ② Installation niche
- ③ Power supply to the appliance
- ④ Recommended location for electrical connection
- ⑤ Power cord

- * Appliances with glass front
- ** Appliances with metal front

If the appliance is to be installed under a cooktop, observe the instructions for installation of the cooktop and its installation height.

Installation Undercounter – Venting Requirements



To ensure that the Combi Steam Oven has adequate ventilation, the following cut-outs measuring 19 11/16" x 1 9/16" (500 x 40 mm) must be made:

- ① in the appliance support base
- ② in the bottom of the cabinet space below

The cabinet housing must not have a back panel fitted behind the installation niche.